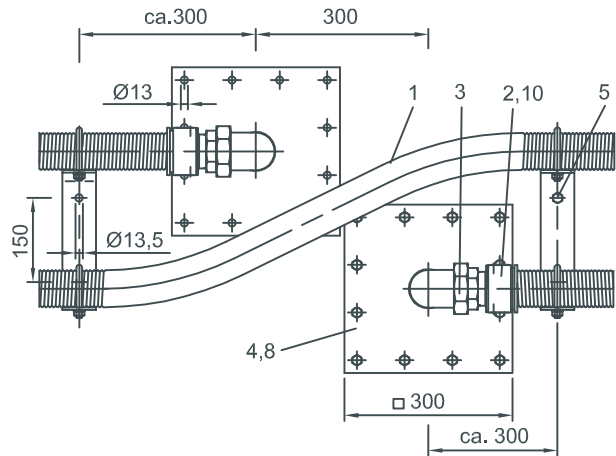
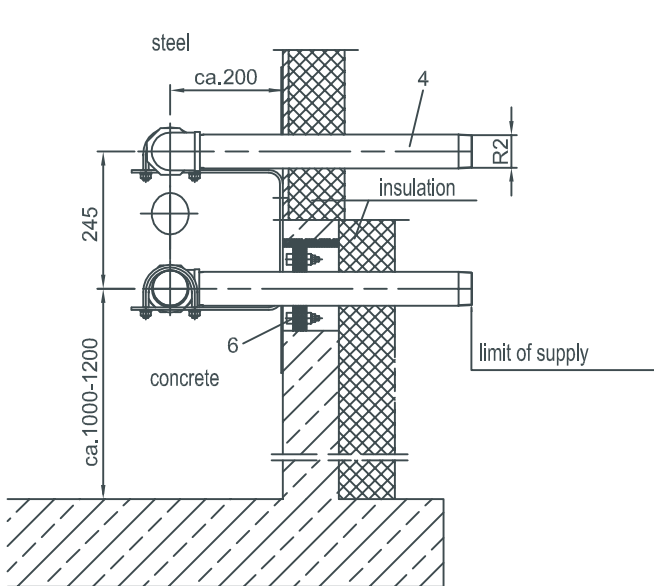


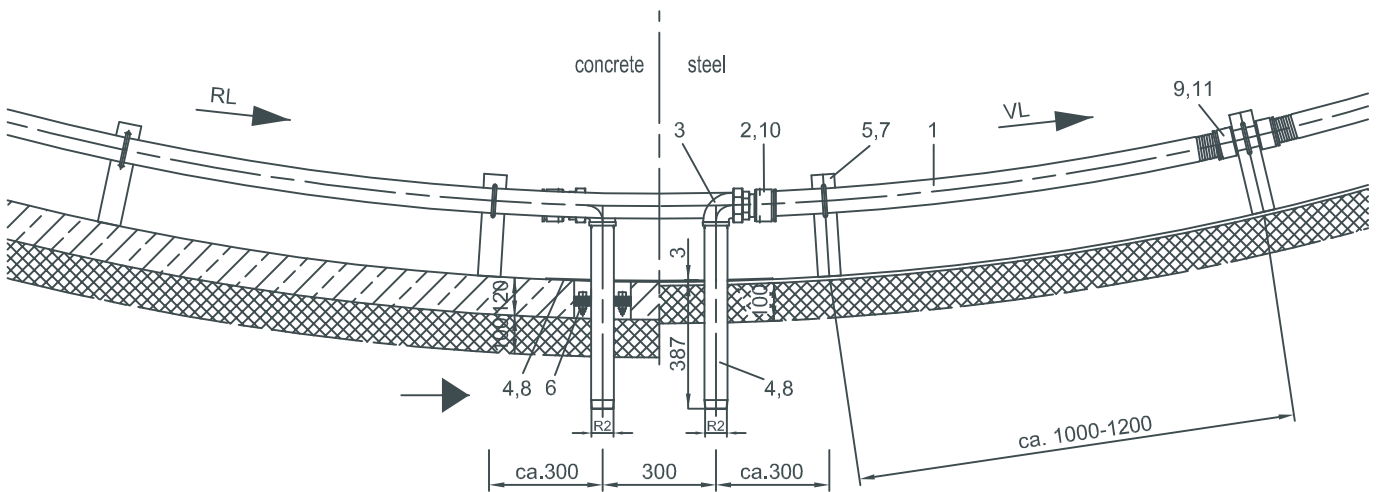
BIOGAS-Technology

Type CNW

End connector Grapa-S incl. flange plate for steel- or concrete fermenter



- Please seal flange plate pressure-tight to fermenter wall
- For installation of the end connector see installation instruction



Please note: in case of a wall < 120mm please use sapecial screws and dowels

Please seal the thread with e.g. CURIL K2 sealing compound is recommended by BRUGG

No.	type	Material grade	Article No.
1	Pipe NFX CNW 60/66 - DN 50	1.4404	72010491
2	End connector GRAPA-S DN 50 - R2	1.4301	72803780
3	Elbow screw fitting DN 50	1.4301	72803775
4	Double nipple R2 with flange plate 300x300x3	1.4301	72803721
5	Support RBF 60 type A 200/250	1.4301	72803791
6	Gasket insert type A WD 55-64, core drilling dia. 125 mm	1.4301	72803779
7	Fixing set 1x incl. dowel BS 10 (borehole dia 12 mm)	1.4301/Nylon	72803796
8	Fixing set 6x incl. dowel BS 10 (borehole dia 12 mm)	1.4301/Nylon	72803796
9	Through-/repair-connector/elongation GRAPA-S DN 50 (ifnecessary)	1.4301	72803798
10	Installation tool for GRAPA-S end connector DN 50	Steel,gas-nitrided	72898005
11	Installation tool for GRAPA-S through connector DN 50	Steel,gas-nitrided	72898105